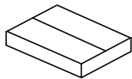




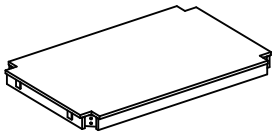
20 min



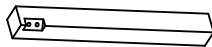
x2



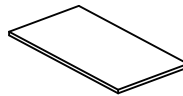
x2



① x1



② x4



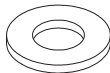
③ x2



④ x2



Ax8 (M8x60mm)



Bx8 (M8x20mm)



Cx16 (M8)



Dx1 (M5)



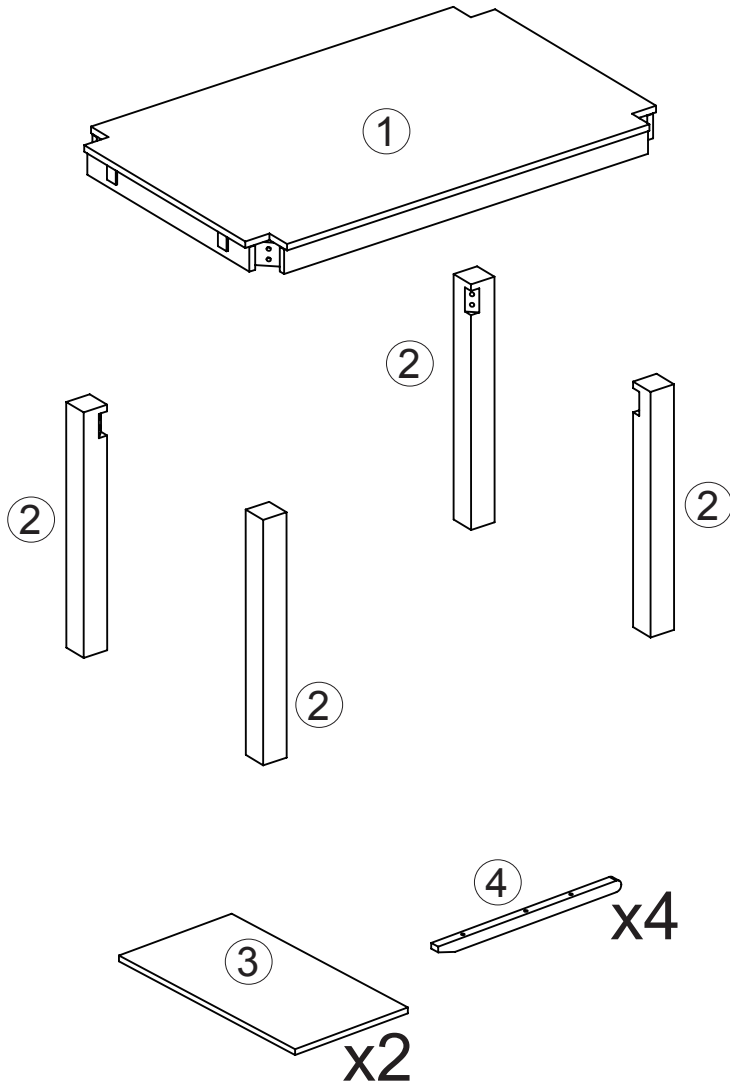
Ex8 (M8x16mm)



Fx8 (M8x40mm)



Gx4 (M6x50mm)



1



Ax8



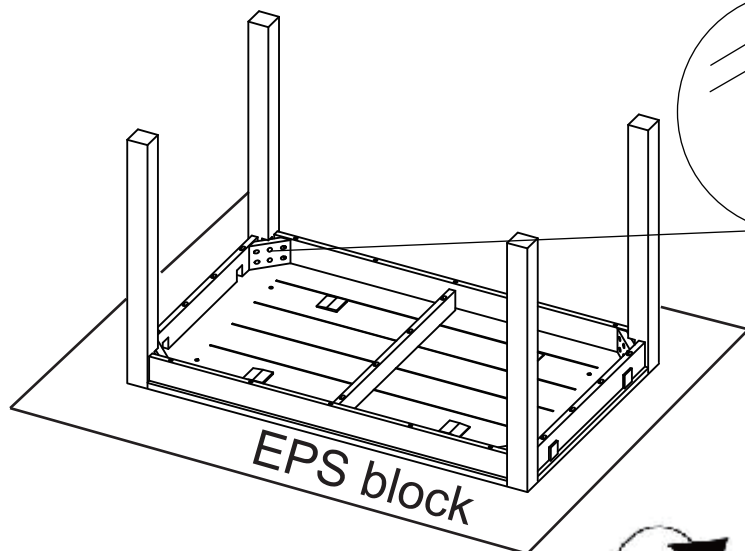
Bx8



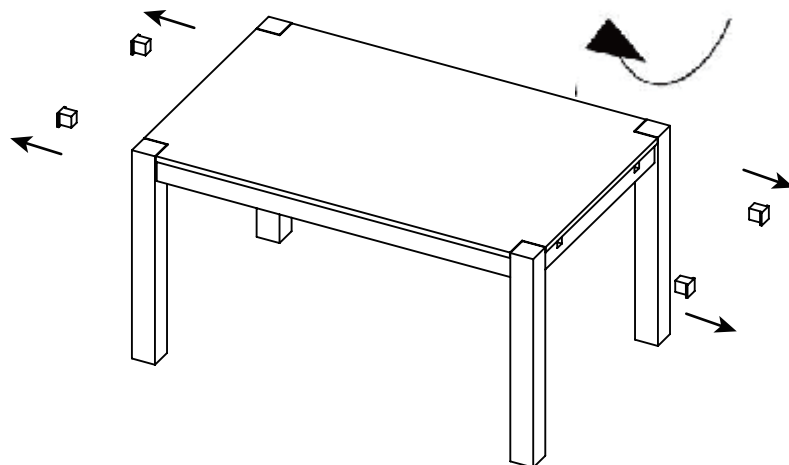
Cx8



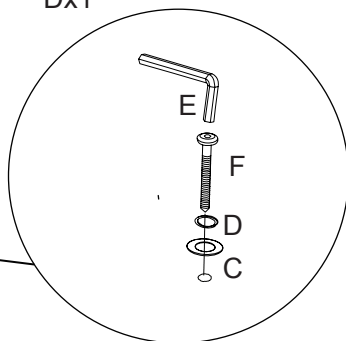
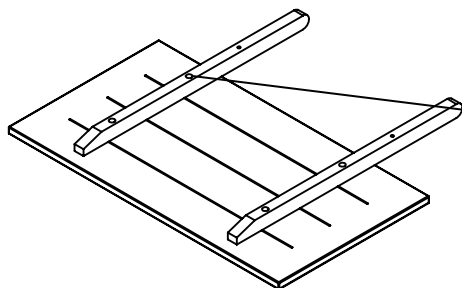
Dx1



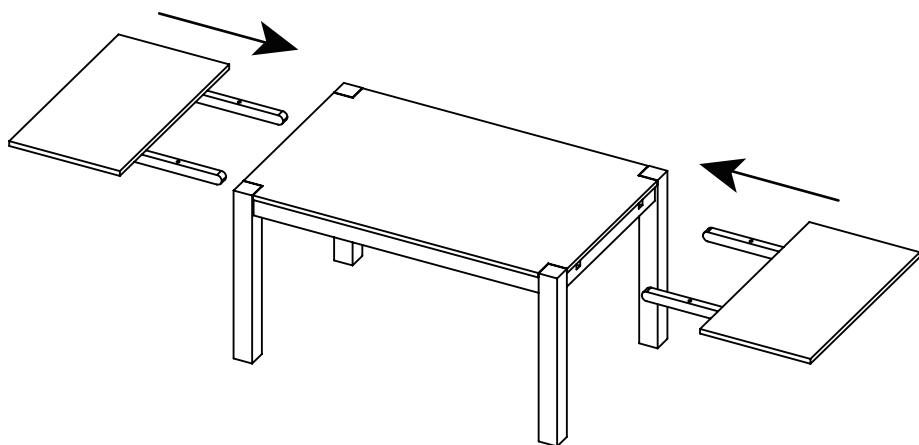
EPS block



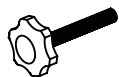
2



x2



3



Gx4

